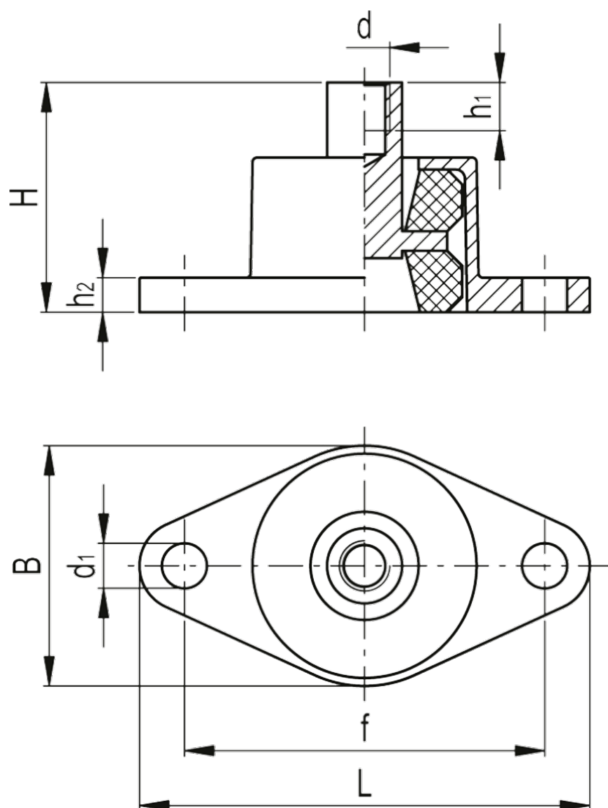


Article number: 2309480185

Description: E+G Flange vibration damper AVG-60

## Measures



= 3	h2	= 10
= 6.5	L	= 150
B = 80	Max. load	= 6000
d = M16	Min load	= 1400
d1 = 15	Shore A	= 60
f = 120	Weight in (g)	= 650
H = 75		
h1 = 16		